

# Novema Revit Plugin



# Contents

<b>Chapter 1. General</b>	<b>1</b>
<b>About this document</b> .....	<b>1</b>
<b>Installing the software</b> .....	<b>1</b>
Required third-party software.....	1
Installation.....	1
<b>Adding unit to Revit</b> .....	<b>2</b>



# Chapter 1. General

---

## About this document

This document contains instructions on using *Novema Revit plugin*.

The purpose of the plugins is to add Novema air handling units selected with Novagg dimensioning program into MagiCAD for Revit or Revit project and drawing.

---

## Installing the software

### Required third-party software

#### Revit

- Revit MEP 2014,2015,2016

#### MagiCAD (optional)

- MagiCAD 2013.4 or newer (with Revit MEP 2014)
- MagiCAD 2014.11 or newer (with Revit MEP 2015)
- MagiCAD 2015.4 or newer (with Revit MEP 2016)

### Installation

Novema Revit plugin can be used without Novagg program. It is assumed that user has received .nvcd -file from some Novagg user.

Administrator privileges are recommended for installations.

Install Novema Revit plugin.

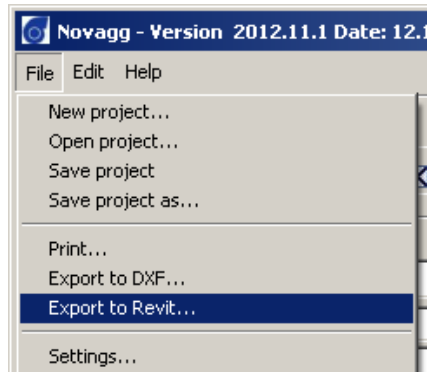
Installation packages can be downloaded from <https://delivery.progman.fi/Delivery/Download/SearchProducts?searchStr=Novema&productClass=Plugin>

The 32-bit version of the program is installed by running **Novema MagiCAD plugin for Revit 2015.6.1 32-bit.msi**

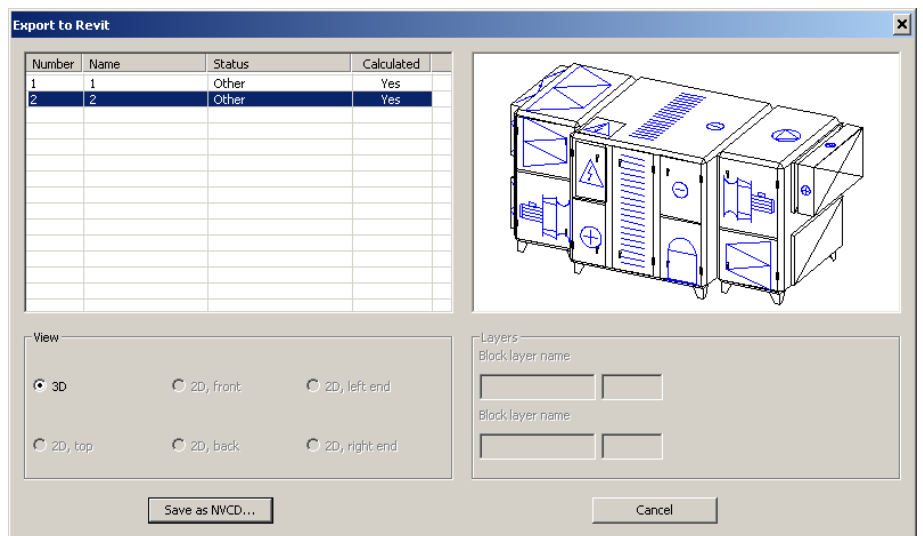
The 64-bit version of the program is installed by running **Novema MagiCAD plugin for Revit 2015.6.1.msi**

# Adding unit to Revit

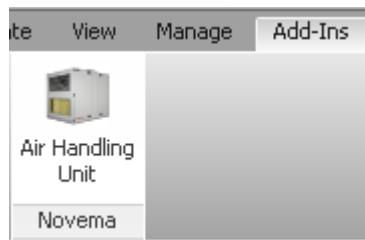
If you have the newest Novagg version, you may create Revit-file with the newest Novagg version.



Note, that .nvc-d-file will contain only one unit. In this case it would be unit number 2 because it is selected.

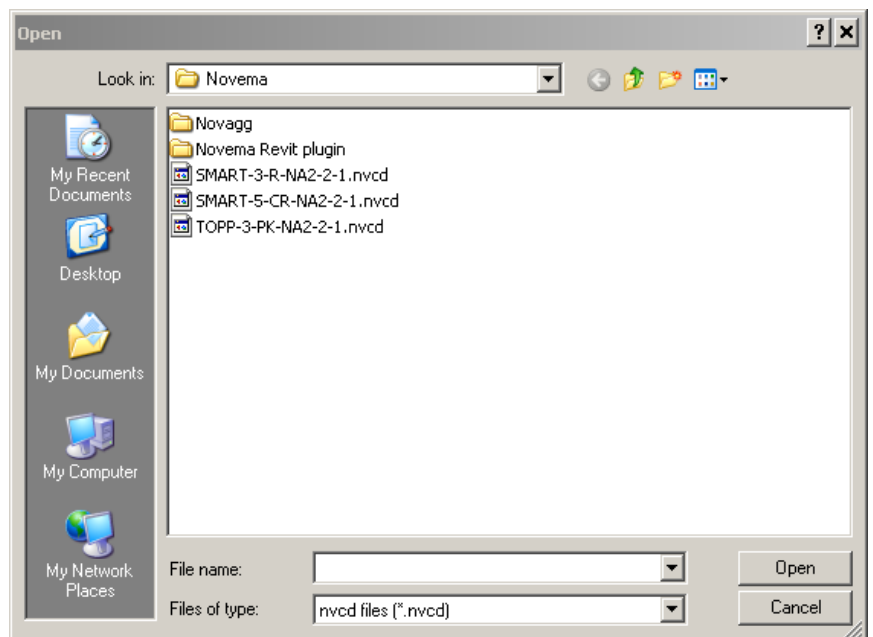


1. Click *Add-Ins* ribbon tab and *Air Handling Unit*-button



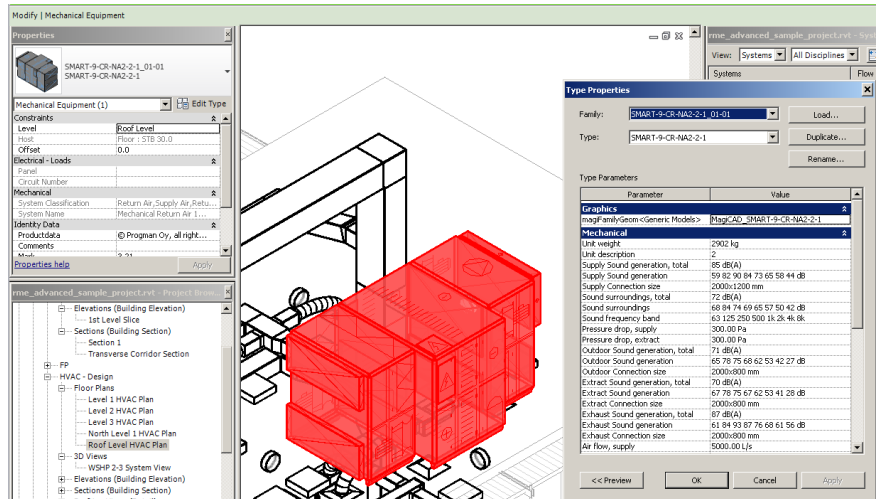
*Add unit from local file-function selected.*

2. Select *.nvc*-file from the folder you have the *.nvc* –file and press Open. Unit will be imported to Revit.



*Unit is selected to be imported to Revit.*

- Unit is placed to Mechanical Equipment-group in Revit. You can see unit information when you click Edit type in Propertie dialog. Now you can continue working with MagiCAD for Revit / Revit.



*Unit is placed to Revit and its Properties dialog is opened.*