

**User Guide**  
**Version 2026.6.1**

# **Acticon MagiCAD Plugin**

## Contents

---

About this program.....	3
Installing the software .....	3
User instructions.....	4
Import Gastro Hood .....	5
Import Hood.....	8

## About this program

---

This document contains instructions on using software Acticon MagiCAD plugin.

Acticon MagiCAD plugin is an extension to MagiCAD software. As an input it requires readymade hood file with \*.acticon extension or \*.mchoodproject for GastroFlow hoods. You receive these files from Acticon AB.

Please contact Acticon for a customized proposal for your professional kitchen project. We deliver AutoCAD 3D designed solutions of hood drawings with airflow, pressure drop, and noise levels specified. With Acticon MagiCAD plugin these files are easily imported into your MagiCAD project.

Further information and contact details at [www.acticon.se](http://www.acticon.se)

## Installing the software

---

### Required third-part software

Uninstall previous versions before installing Acticon MagiCAD plugin.

Acticon MagiCAD plugin works with the following MagiCAD versions:

- MagiCAD 2026 and AutoCAD 2023-2026
- MagiCAD 2027 and AutoCAD 2023-2027

### Installation

1. Download setup file from

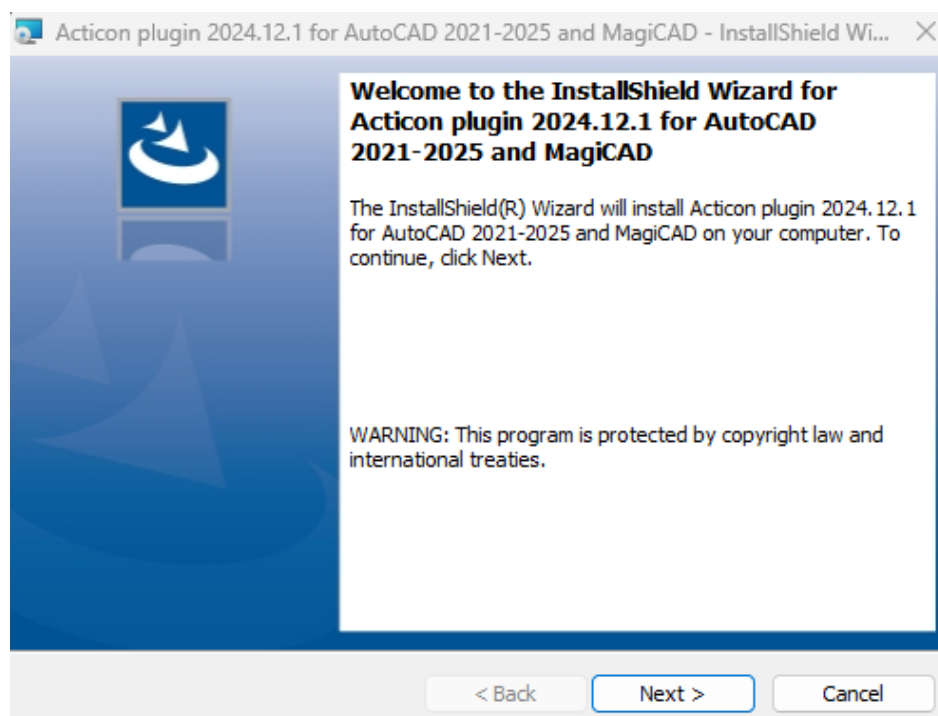
<https://portal.magiacad.com/Download/GetProductCategoryList?categoryId=3>

Search Acticon and press GO.

The version of the plugin is installed by running the installation software:

“Acticon plugin”

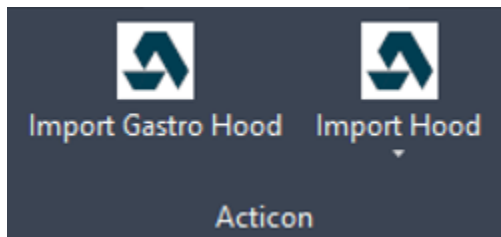
2. Follow the instructions given by the InstallShield Wizard.



## User instructions

---

After installation, two plugin modules are visible in the MagiCAD Connect tab and Acticon panel.



### Import Gastro Hood

Import Acticon GastroFlow hood for professional kitchen

### Import Hood

Import Acticon standard hoods for professional kitchen

AF Exhaust air hood

AT Supply air hood

AE Control air hood

Evac-F Exhaust air hood

Evac-T Supply air hood

AK Condensation hood

AKT Condensation hood with supply air

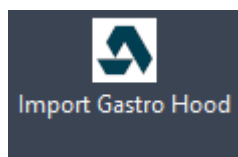
AD Dishwashing hood

ADT Dishwashing hood with supply air

## Import Gastro Hood

Adding Gastro hood into MagiCAD for AutoCAD drawing

Click "Import Gastro Hood" button.



And then click "Open File"-button to open \*.mchoodproject file.

A dialog with information about the opened Gastro hood will open.

A screenshot of a software dialog box titled "Acticon Icon MagiCAD Plugin 2024.12.1". The dialog has a table with columns for Hood Name, Operation, Supply System, Extract System, Bottom Level, Connection Level, and Top Level. There are two rows of data. Below the table are OK and Cancel buttons.

Hood Name	Operation	Supply System	Extract System	Bottom Level	Connection Level	Top Level
Kåpa 1	<input checked="" type="checkbox"/> Insert		Extract 1	2100	2650	2750
Kåpa 2	<input checked="" type="checkbox"/> Insert	Supply 1	Extract 1	2100	2650	2750

Explanation of the fields:

### Hood Name

The name of the imported hood. It can be renamed here.

### Operation

You can select if the hood will be inserted to AutoCAD drawing or not with the checkbox.

### Supply System

Select the supply system where this hood is attached. If system is not selected, OK button is not clickable, and hood cannot be inserted to the drawing. If the hood does not contain supply air, this choice is not available.

### Extract System

Select the extract system where this hood is attached. If system is not selected, OK button is not clickable, and hood cannot be inserted to the drawing.

### Bottom Level

Height position of the lowest point of the hood in AutoCAD drawing. You can change the value for height of the hood's bottom edge. Default value is 2100 mm.

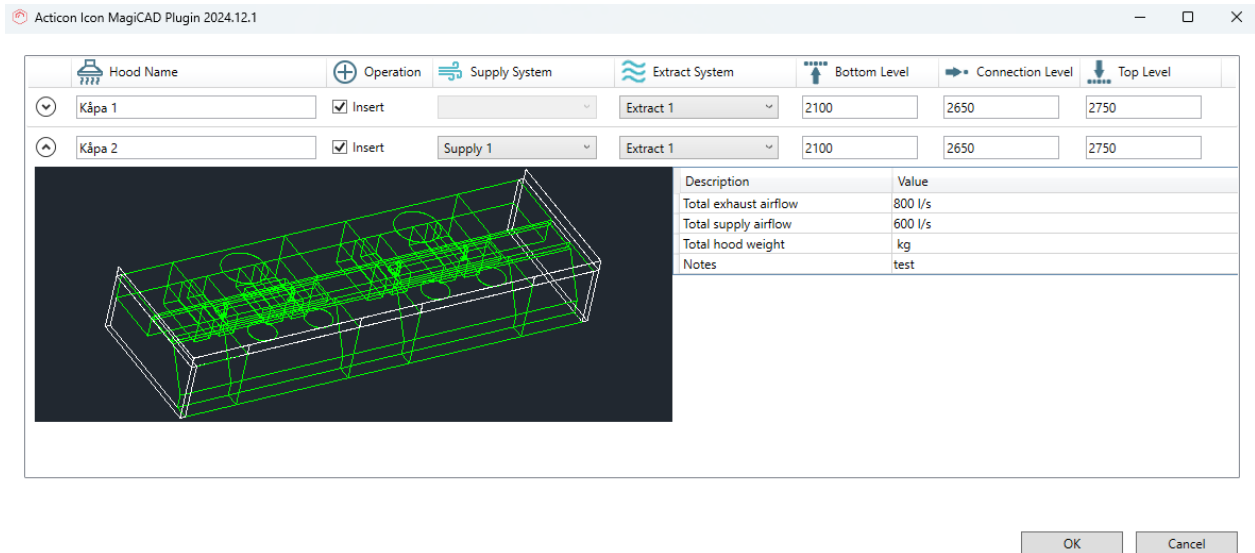
### Connection Level

Height position of the connection level of the hood in AutoCAD drawing. You can change the value for height of the connection level.

## Top Level

Height position of the highest point of the hood in AutoCAD drawing. You can change the value for height of the top level.

NOTE: Height levels are updated automatically if you change one value the others get adjusted according to the hood size.



## Expanded Hood View

Clicking the arrow on the left side of the window the selected hood view will be expanded.

## Preview image

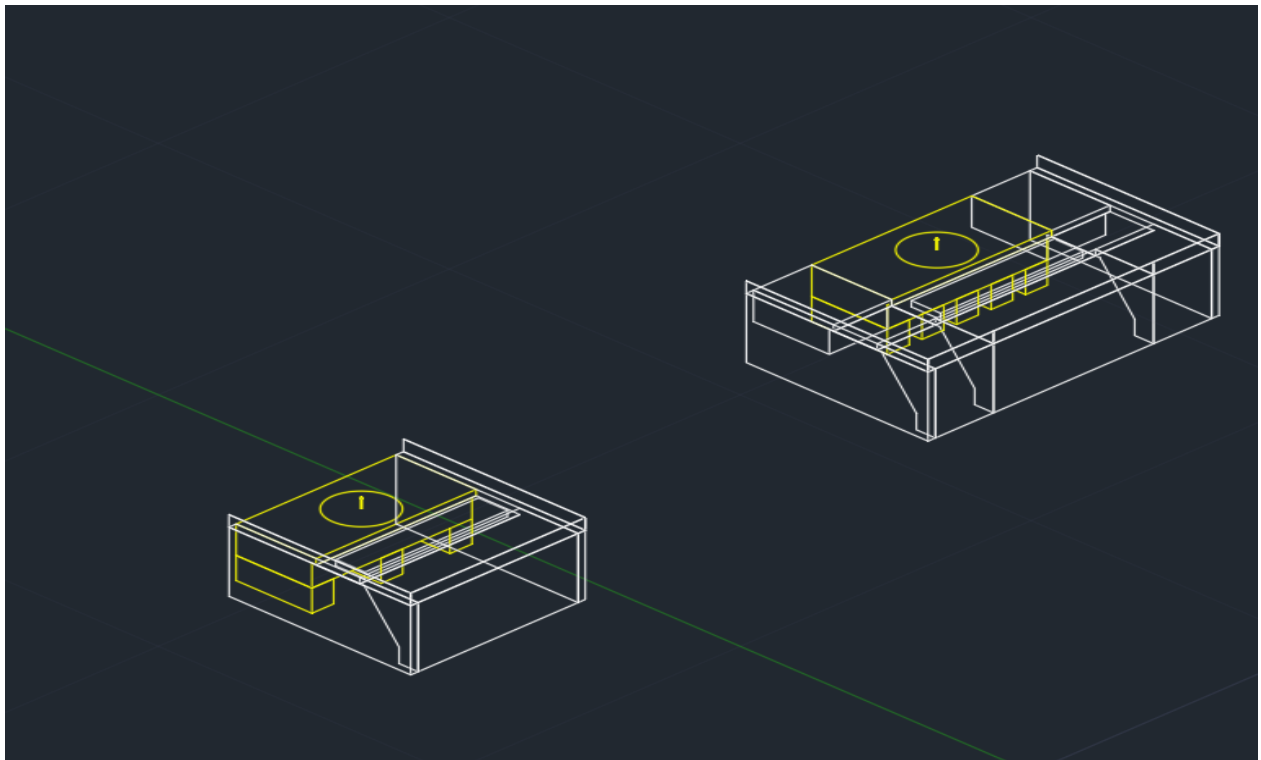
On the left side you can see the preview image of the hood. It can be rotated using mouse.

## Description and Value

Here you can see some technical details of the hood and notes from the hood designer.

Clicking the OK button from the plugin window, the selected hoods will be added to the drawing. They will be inserted one at a time based on the list and check boxes in the dialog box.

The hood is attached to the mouse cursor. Place and rotate it in the model by clicking the mouse cursor in the desired location, according to Acticon's recommendations.

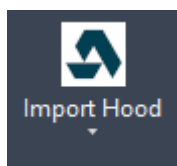


Now you can continue designing in the MagiCAD project, e.g. connecting ducts to supply/extract devices in the hood.

## Import Hood

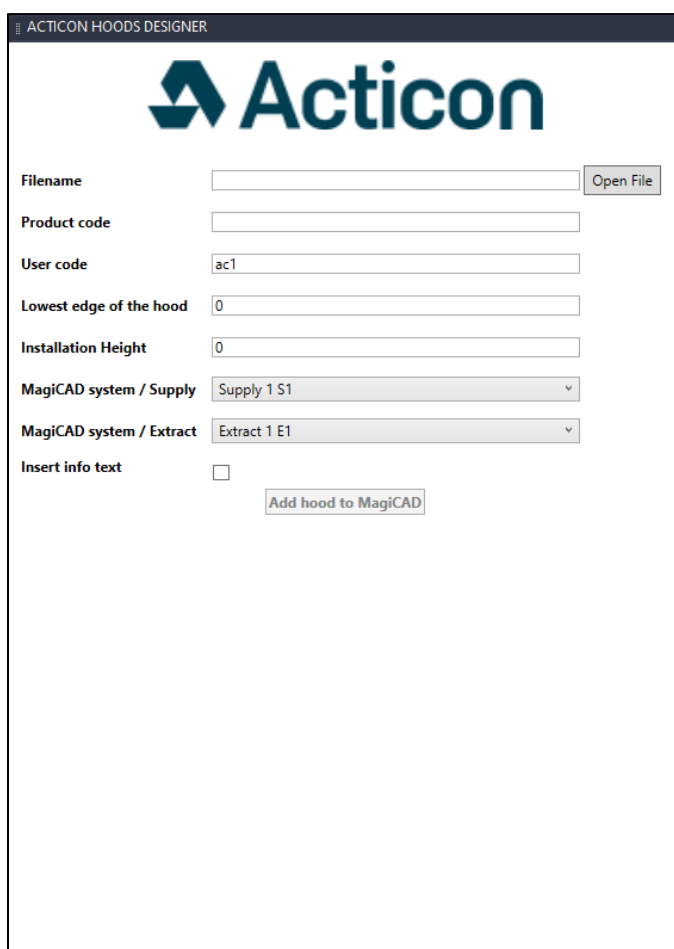
Adding Hood into MagiCAD for AutoCAD drawing

Click "Import Hood" button.



And then click "Open File"-button to open \*.acticon-file.

A dialogue with default information will open.

A screenshot of the "ACTICON HOODS DESIGNER" dialog box. The window title is "ACTICON HOODS DESIGNER". The Acticon logo is prominently displayed at the top. Below the logo, there are several input fields and buttons. The "Filename" field is empty, with an "Open File" button to its right. The "Product code" field is empty. The "User code" field contains the text "ac1". The "Lowest edge of the hood" field contains the number "0". The "Installation Height" field contains the number "0". There are two dropdown menus: "MagiCAD system / Supply" is set to "Supply 1 S1" and "MagiCAD system / Extract" is set to "Extract 1 E1". At the bottom, there is a checkbox labeled "Insert info text" which is currently unchecked, and an "Add hood to MagiCAD" button.

### Product code

The product code is filled in automatically

### User code

If you want, you can give the hood a specific name or code. The user code must begin with a letter, not a number.

### Lowest edge of the hood

If you want, you can change the default value for height of the hood's bottom edge. Default value is 2100 mm.

## Installation Height

Height of the hood roof. Enter height of the hood's bottom edge. The installation height will appear in a non-editable field.

## MagiCAD system

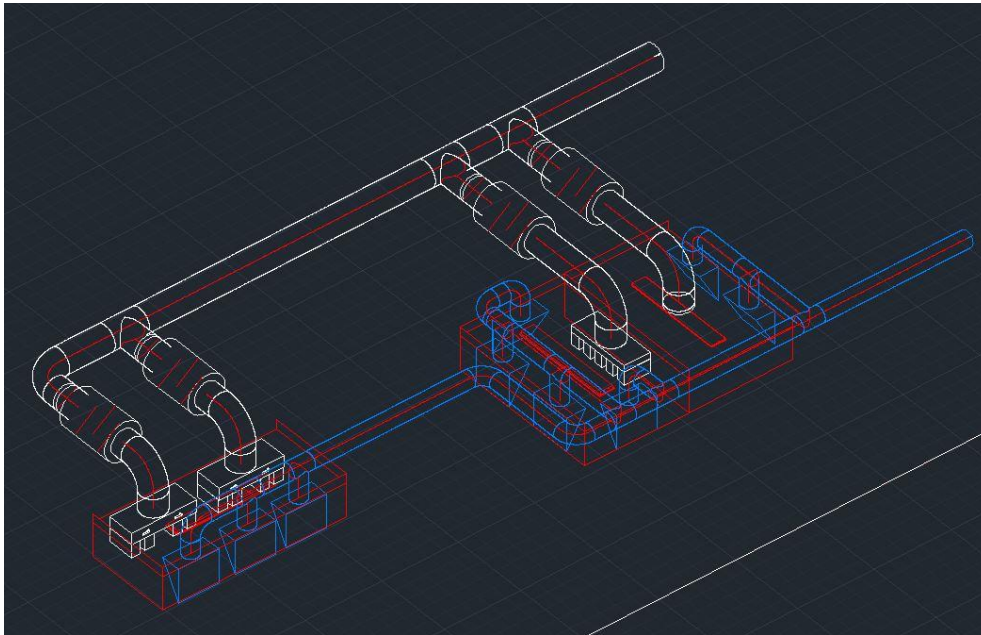
If there is more than one system in the current MagiCAD project, select required supply and extract air system in the drop-down menu. Whether the hood has supply air or not, you must always select a supply air system. If system is not selected, "Add hood to MagiCAD" button is not clickable, and hood cannot be inserted to the drawing.

## Insert info text

Mark the box if you would like information text for the hood into your MagiCAD project. The text flag is automatically inserted with default text style ISOCP, text height 125 mm.

## Add hood to MagiCAD

Then click button "Add hood to MagiCAD" and the hood is automatically placed in the correct position or in origo, depending on the basis.



Now you can continue designing in the MagiCAD project, e.g. connecting ducts to supply/extract devices in the hood.