

EXselectPRO MagiCAD Cloud Plugin for Revit

13/04/2026

Content

1	ABOUT THIS DOCUMENT	3
2	INSTALLING THE SOFTWARE	3
2.1	Required third-party software	3
	Before installation	3
	Installation.....	3
3	EXSELECTPRO MAGICAD PLUGIN FOR REVIT FUNCTIONS	4
	Import Exhausto AHU	5
	Validate Exhausto AHU	8
	View Exhausto AHU data	9

1 About this document

This document contains instructions on using *EXselectPRO MagiCAD plugin for Revit*. Plugin allows inserting Exhausto air handling units into Revit or MagiCAD for Revit drawing.

2 Installing the software

2.1 Required third-party software

EXselectPRO MagiCAD plugin for Revit works with the following MagiCAD/ Revit versions

Revit

- Revit 2024 - 2027

MagiCAD for Revit (optional)

- MagiCAD 2026 with Revit 2024 - 2026
- MagiCAD 2027 with Revit 2025 - 2027

Before installation

Workstation administrator privileges are recommended for installation.

Installation

1. Download the setup file from:

<https://portal.magicad.com/download/ProductSearch?searchStr=Exhausto&categoryId=3>
2. Install the EXselectPRO MagiCAD plugin.

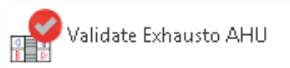
3 EXselectPRO MagiCAD plugin for Revit functions

Main functions

Plugin contains the following functions:



Opens the File Open dialog from where user can select MagiCAD AHU import file. These MagiCAD AHU import files can be exported from Exhausto's air handling unit dimensioning software EXselectPRO. User can insert air handling units included in selected file into Revit/MagiCAD for Revit drawing.

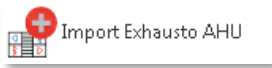


Validates Exhausto air handling unit. Validates the selected air handling unit against the current working point. If working point has changed significantly, it is recommended to re-dimension the AHU in ExSelectPro with the updated working point.



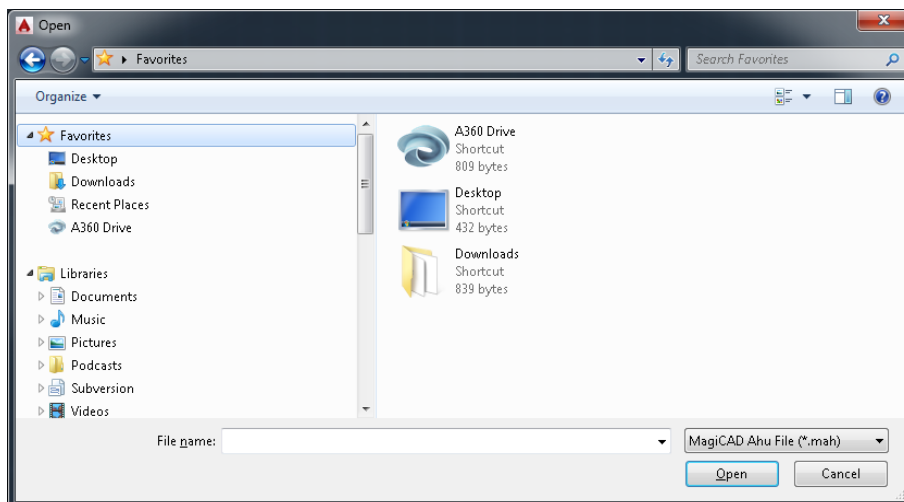
Allows user to view technical data of the selected product. The selected product can be air handling unit or duct component which is dimensioned by EXselectPRO.

Import Exhausto AHU



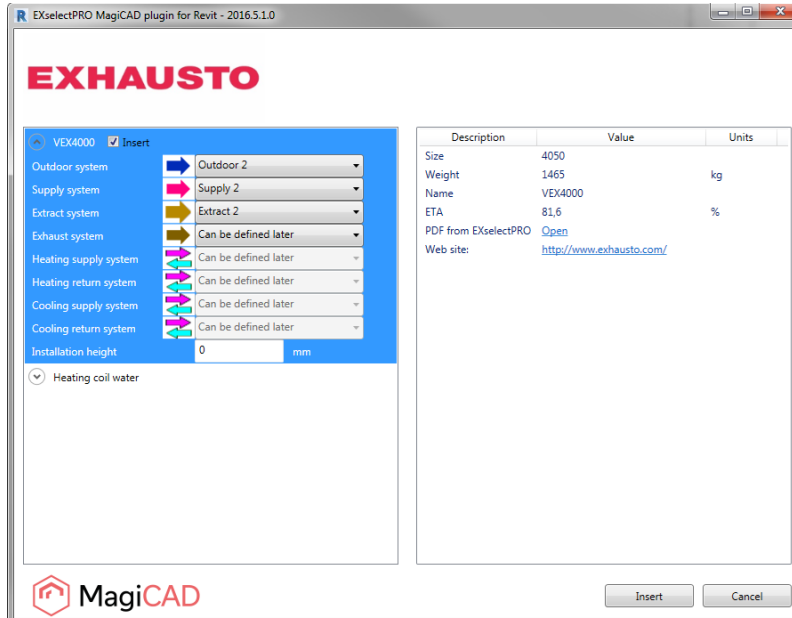
Follow these steps for Importing EXselectPRO's air handling unit into MagiCAD drawing:

1. Before Import Exhausto AHU -operation from the plugin is used, air handling unit(s) needs to be first exported from EXselectPRO. This part is can be done for example by Exhausto. They will then deliver the exported file to designer. Thus, designers do not necessarily need to use EXselectPRO in order to use this functionality.
2. Click *Import Exhausto AHU* button from plugin's ribbon panel in Revit. Open file dialog opens.



3. User should browse to the folder where export file is located. EXSelectPRO generates .mah-files which are supported by this plugin.

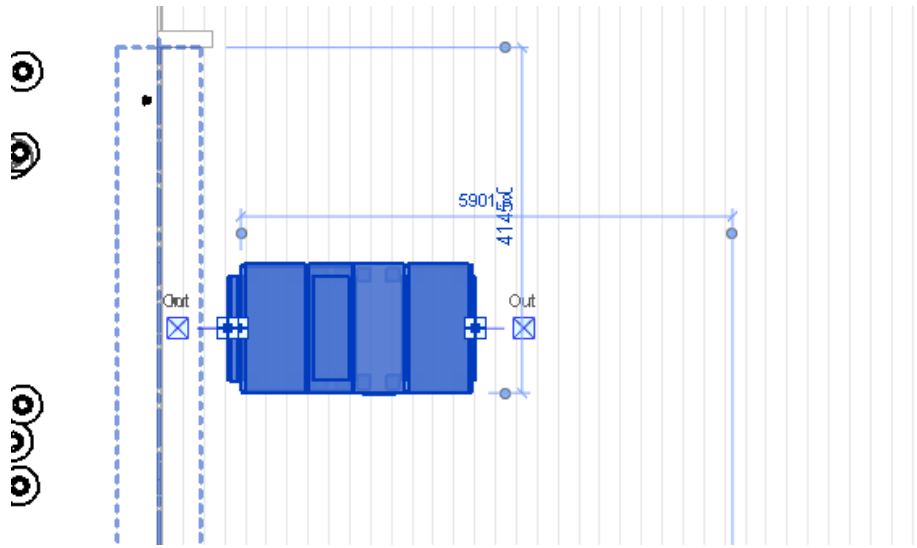
- Once user has chosen the file and clicked open button, available products are loaded into installation dialog:



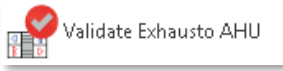
Please note that the Import operation takes longer the first time when the air handling unit is converted to RFA format. When the same air handling unit is imported again to the Revit project, the Import feature works much faster.

The user can insert air handling unit into Revit project without making system selections. "Can be defined later" -system selection in installation dialog indicates that systems can be set now or optionally user can first insert the product into the drawing and then make the system selections later on in Revit.

- Available products are shown in list view on the left side of the dialog. Technical details of the selected product are available on the right side of the dialog. Before installing the products into drawing, user can make system selection for each duct connection (for each product installed to the drawing). Also installation height of the product can be defined here.
- You are able to open the printout of the air handling unit by clicking "Open" link located in technical details view. Printout contains more detailed information about selected AHU.
- Once systems have been defined for all products, installation can be started by clicking insert button.
- Products can be placed to the drawing one by one by dragging them to wanted position in the drawing. After that user can connect the air handling unit to the ductwork.



Validate Exhausto AHU



Follow these steps for Validating EXselectPRO's air handling unit in Revit/MagiCAD drawing:

1. Click Validate Exhausto AHU button from plugin's ribbon panel in Revit.
2. Select air handling unit from drawing which will be validated. Selected AHU must be connected to the ductwork before validation can be completed successfully.
3. Validation result is displayed for the user. Validation checks if the air flow and pressure drop ductwork still matches to the dimensioned air flow / pressure drop in the EXselectPRO. There is 5% tolerance before the warning message is displayed.

View Exhausto AHU data



Follow these steps for Viewing Exhausto air handling unit's data:

1. Click View Exhausto AHU data button from plugin's ribbon panel in Revit.
2. View dialog will be shown. This dialog is same as in Import Exhausto AHU procedure. Only difference is that system selections and installation height are not enabled. Printout can again be viewed by clicking Open link from technical details view.

