



# Novema MagiCAD Cloud Plugin for Revit

13/04/2026

## Content

<b>1</b>	<b>GENERAL</b> .....	<b>3</b>
1.1	About this document.....	3
1.2	Installing the software.....	3
1.2.1	Required third-party software.....	3
1.2.2	Installation .....	3
1.3	Adding unit to Revit .....	4

## 1 General

### 1.1 About this document

This document contains instructions on using Novema Revit plugin.

The purpose of the plugins is to add Novema air handling units selected with Novagg dimensioning program into MagiCAD for Revit or Revit project and drawing.

### 1.2 Installing the software

#### 1.2.1 Required third-party software

Revit

- Revit 2024 - 2027

MagiCAD for Revit (optional)

- MagiCAD 2026 with Revit 2024 - 2026
- MagiCAD 2027 with Revit 2025 - 2027

#### 1.2.2 Installation

Novema Revit plugin can be used without Novagg program. It is assumed that user has received .nvcd -file from some Novagg user.

Administrator privileges are recommended for installations.

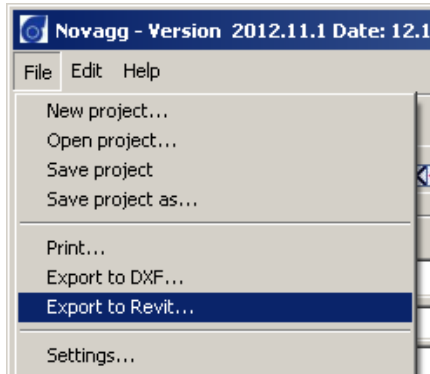
Install Novema Revit plugin.

64-bit installation package can be downloaded from:

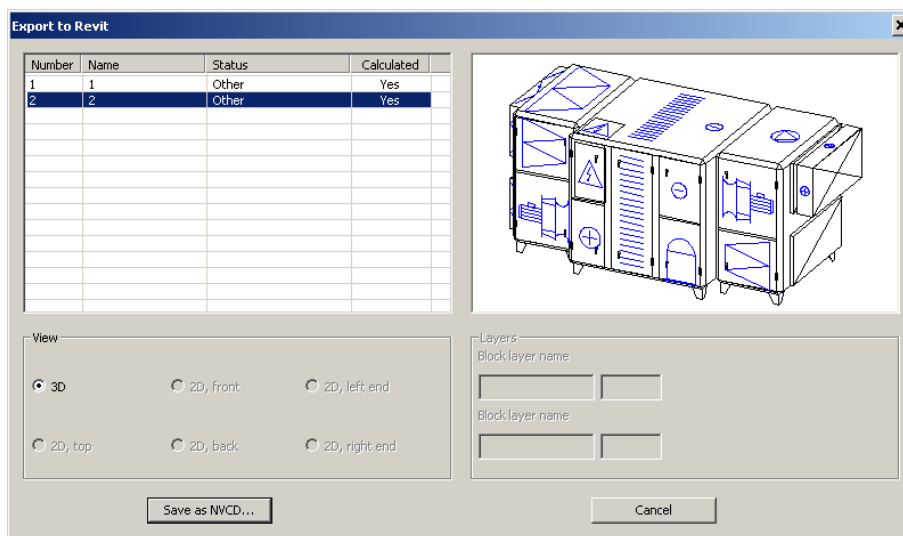
<https://portal.magicad.com/download/ProductSearch?searchStr=Novema&categoryId=3>

### 1.3 Adding unit to Revit

If you have the latest Novagg version, you may create Revit-file with that.



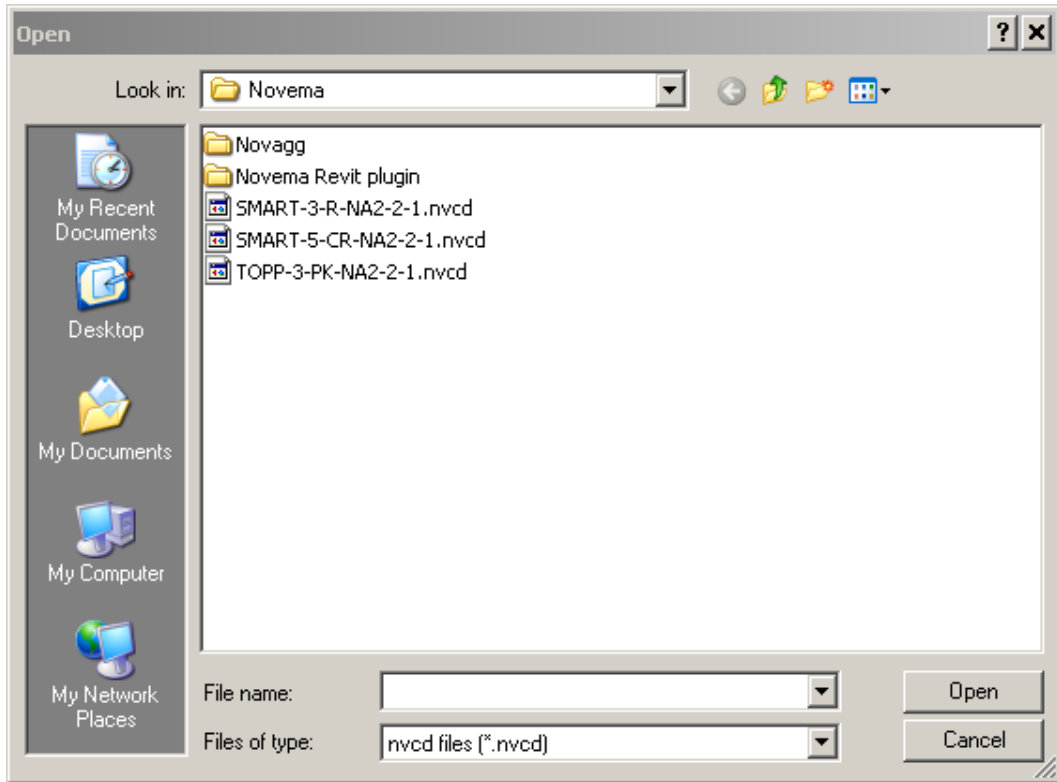
Note, that .nvcd-file will contain only one unit. In this case it would be unit number 2 because it is selected.



1. Click the *Air Handling Unit* ribbon button from Novema panel.



2. Select .nvcf-file from the folder you have the .nvcf file and press Open. Unit will be imported to Revit.



3. Unit is placed to Mechanical Equipment group in Revit. You can see unit information when you click Edit type in Properties dialog. Now you can continue working with MagiCAD for Revit / Revit.

