



# **Purmo / Thermopanel radiators**

User guide

25/04/2019

**Content**

<b>GENERAL .....</b>	<b>3</b>
Installing the software.....	3
Required MagiCAD version .....	3
Installation.....	3
<b>STARTING THE PROGRAM .....</b>	<b>4</b>
<b>SELECTING THE PRODUCTS .....</b>	<b>5</b>
<b>PRODUCT DATABASES .....</b>	<b>5</b>
Configuring the right product .....	5
More information.....	6
Connections.....	6
Dimensions .....	7
Inserting radiator into MagiCAD .....	7

## General

This document contains instructions on using software PURMO / THERMOPANELS radiators. PURMO / THERMOPANELS radiators is a Windows based software which can be used as an extension to MagiCAD software.

## Installing the software

### Required MagiCAD version

PURMO / THERMOPANEL radiators software works with the following MagiCAD for AutoCAD versions.

- MagiCAD 2019 and AutoCAD 2015-2019
- MagiCAD 2020 and AutoCAD 2015-2020

## Installation

1. Ensure that you have required MagiCAD version installed on your computer.
2. Install the PURMO / THERMOPANEL radiators 64 bit software by running the installation program.

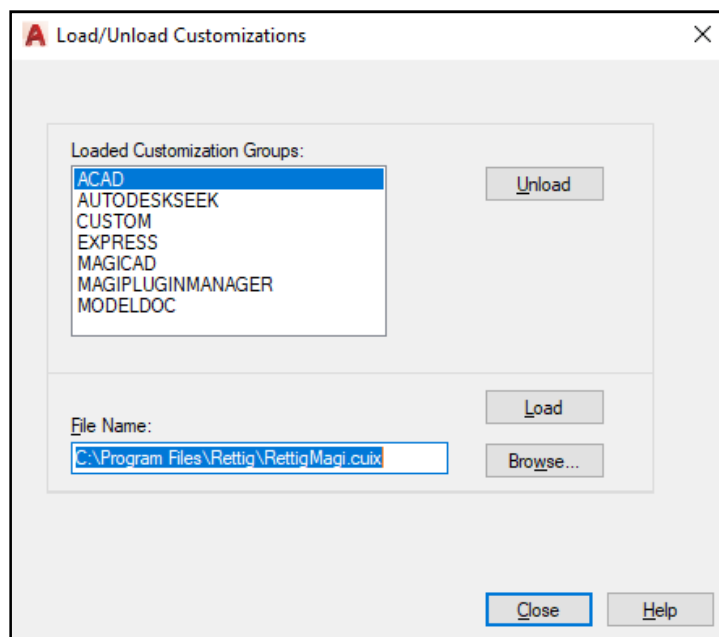
Administrator privileges are recommended for installation.

**Note if you have several AutoCAD versions on your workstation:** Before you run the installation program, start MagiCAD to make sure that PURMO / THERMOPANEL radiators installs on the same AutoCAD platform as MagiCAD.

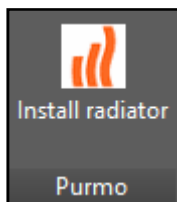
## Starting the program

Before you start using PURMO / THERMOPANEL radiators, start MagiCAD and create or open a Ventilation & Piping project.

If Purmo ribbon button is not visible then run **CULOAD** in AutoCAD, and browse the customization file from the directory where you installed the program (by default, the directory and file is *C:\Program Files\Rettig\RettigMagi.cuix*).

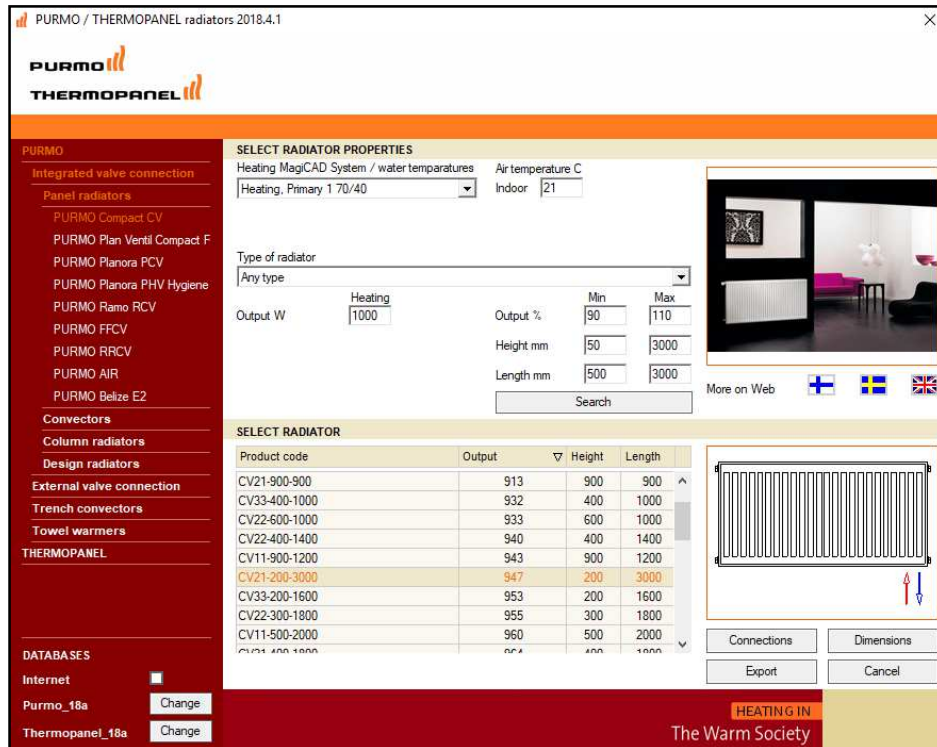


When you select Load the toolbar and ribbon button appears to the AutoCAD.



Next time you use AutoCAD, the customization file should be automatically loaded. Click “Install radiator” button to start installing the PURMO / THERMOPANELS radiators to MagiCAD.

## Selecting the products



## Product databases

The installation package comes with a default product database. User can change the database by selecting "Internet Database" option when the software automatically searches for the latest MagiCAD product database from the MagiCAD website. User can select also different local database by selecting the "Change" button and pointing out the database file from the computer.

## Configuring the right product

Select one of the product groups from the product tree on the left and then make the following configurations.

In MagiCAD System / water temperatures -combo shows now systems which are in current MagiCAD project. After system name there are supply and return water temperatures. If you want to edit systems values or make new system, return to MagiCAD and then click the Project button in MagiCAD V&P Project Manager toolbar and select the Piping → Heating, cooling and special systems → Systems branch. Note that trench convectors can be fan coils which function as heating or cooling device. In that case user can provide wanted heating / cooling output for search.

Air temperature value is 21 degrees as default. Value effects to radiator calculated output power.

In Type of radiator combo “Any type” can be selected or more specified type of the radiator.

In Output field user gives the radiator heat output, which will be exported to MagiCAD and used in MagiCAD calculations.

Min / Max fields can be used to restrict the selection and by clearing them the only restriction for radiators is Output value.

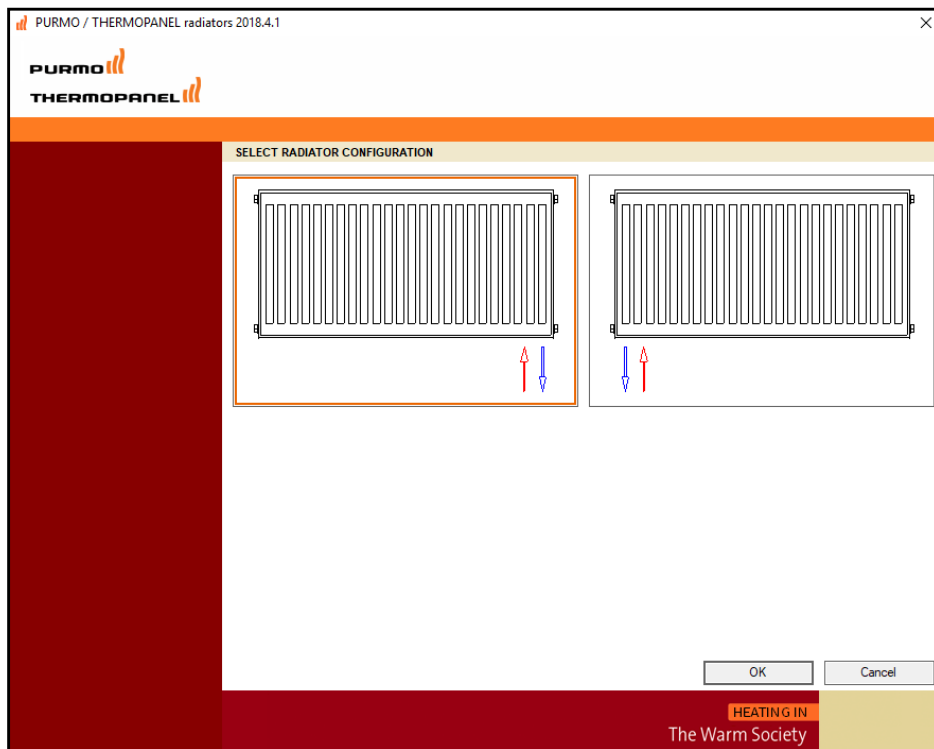
Press Search-button after you have given desired input values. You will get a list of suitable radiators.

### More information

See more information of the radiators by clicking a flag in “More on Web” section.

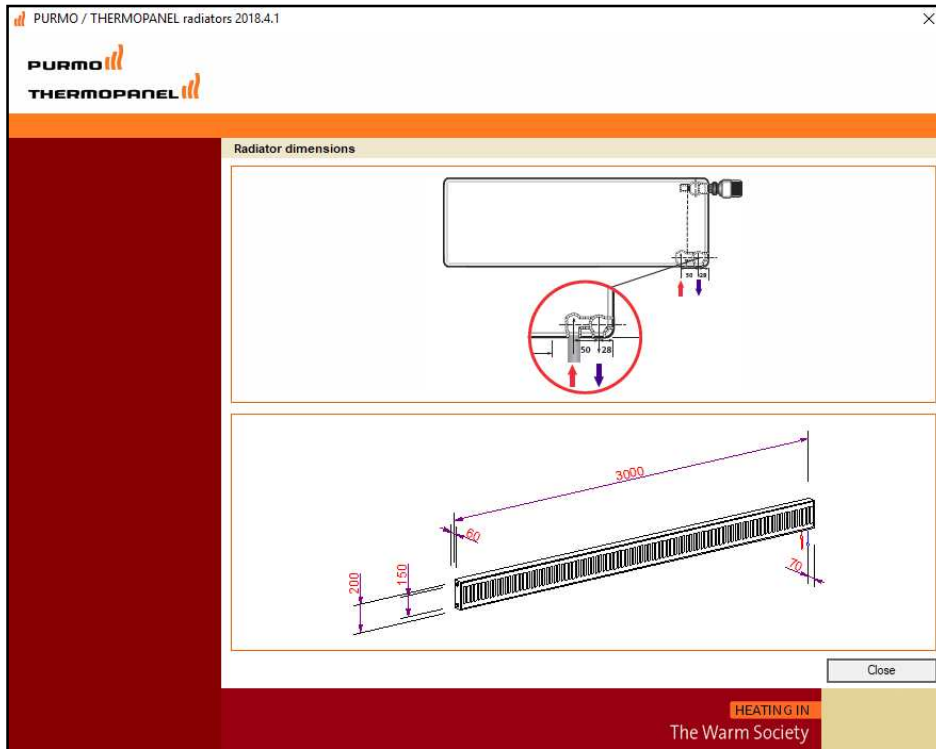
### Connections

Some of the radiators have more than one connection option. Select the Connections button and then select radiator configuration picture.



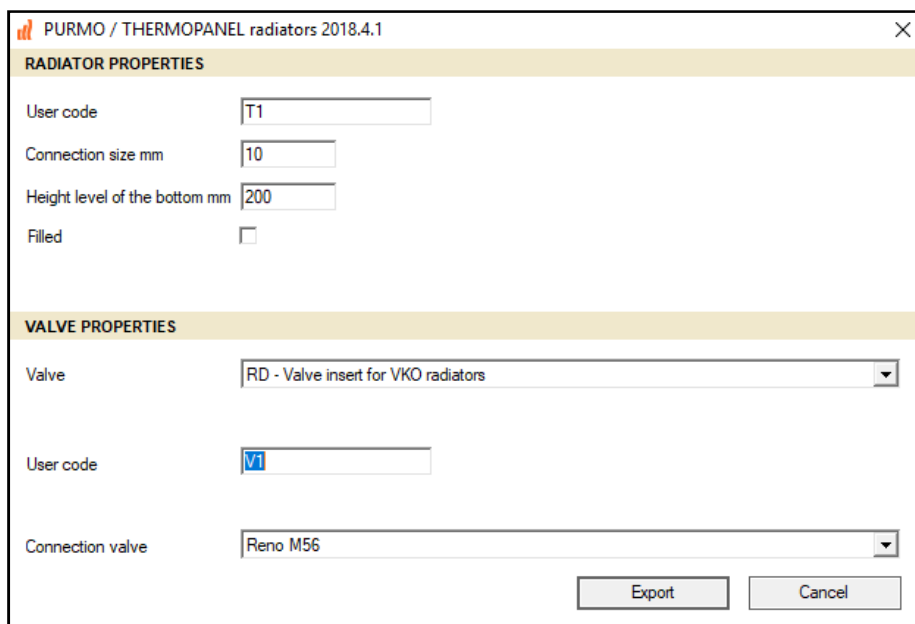
## Dimensions

Selecting Dimensions button you will see detail measurements of the radiator.



## Inserting radiator into MagiCAD

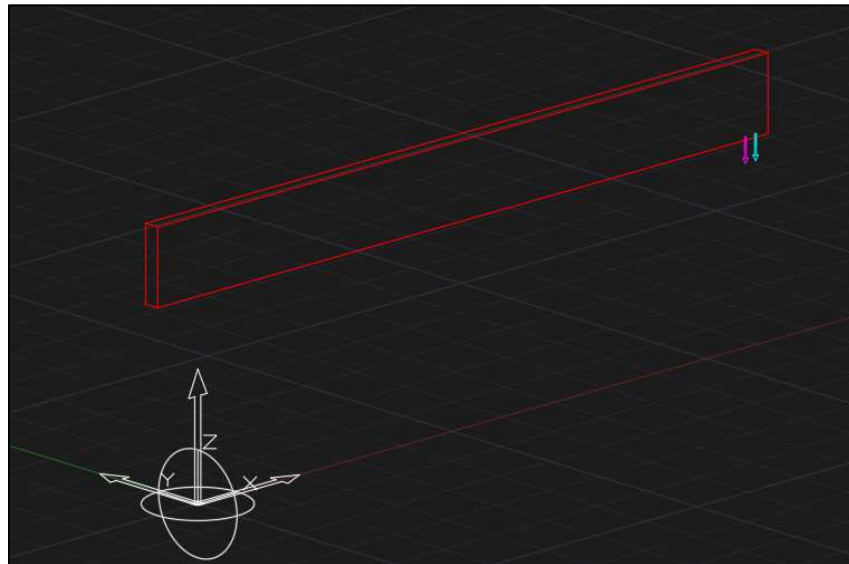
Select Export button to insert radiator to MagiCAD drawing.



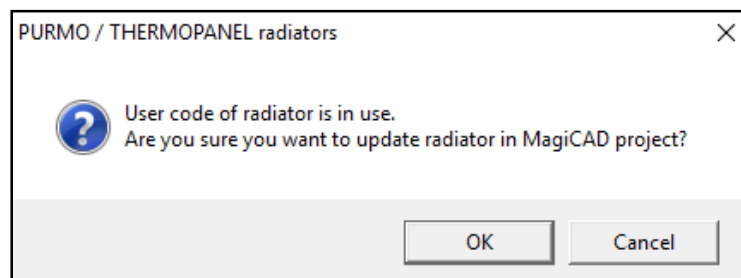
Give the following information:

- User code for the radiator.
- Connection size.
- Height level for the radiator.
- Check “Filled” box if you want to see radiator in filled mode in MagiCAD drawing, top view.
- Valve for the radiator.
- Valve size.
- User code for the valve When radiator has integrated valve, it is also possible to select connection valve. Integrated valve / connection valve is never drawn into MagiCAD drawing but are taken into account in technical data / product code.

Select Export button and the radiator will be inserted to the project.



If the selected user code is already in use in MagiCAD project, the following message box will appear:



Select “OK” if you want to update the existing radiator in the project or “Cancel” to go back and change the user code.